

Masport[®]

EXPORT ROTARY MOWERS

Part Number
464923

Model
S16 150ST 3'n1

Engine
B&S W16 Series 300

Month and Year of First Manufacture - Sept 2015

Starting Serial Number - > 7950000



Issue A.1
ECN 03138
Oct 2015 PB
REF # 764923S

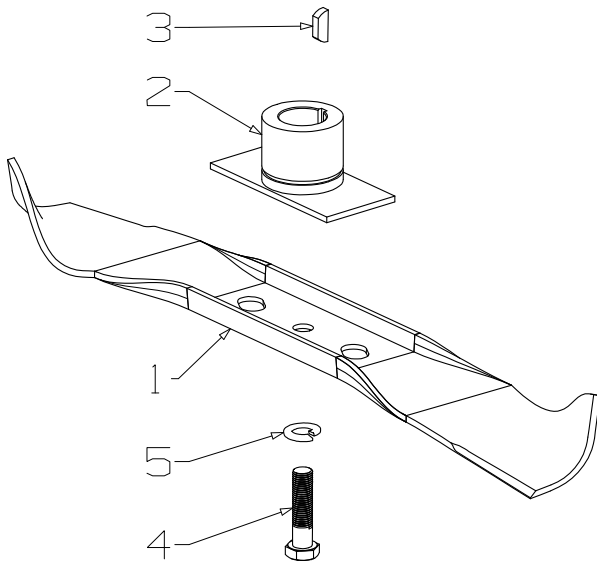


S16 150ST 3'n1
 Powered by: B&S W16 Series 300

Masport

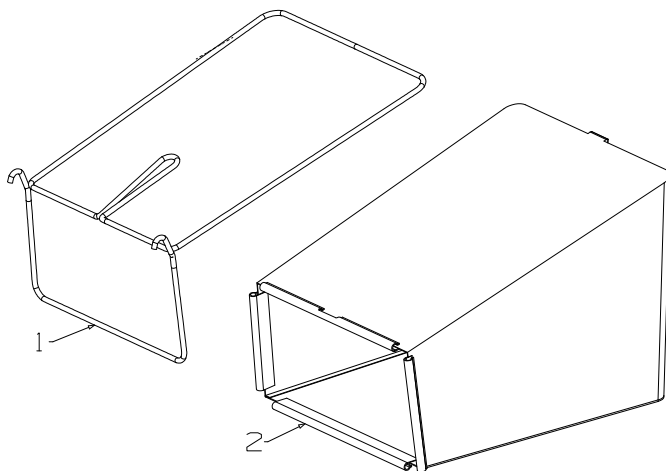
Issue A.1
 ECN 03138
 Oct 2015 PB
 REF # 764923P

420mm (16") Blade Assembly



| Item | Part | Description | Qty |
|------|---------------|----------------------------|-----|
| 1 | 564514 | Blade-Bar,420mm | 1 |
| 2 | 511106 | Driver Assy-Blade, 7/8" | 1 |
| 3 | 500636 | Key-W/Ruff 5/8"x5/32"x1/4" | 1 |
| 4 | 503543 | Bolt; Hex NF 3/8"x1.5 NYG8 | 1 |
| 5 | 500204 | Washer; Spg 3/8" | 1 |

764512 Catcher Assembly 16" - Fabric



| Item | Part No | Description | Qty |
|------|---------------|-------------------------------|-----|
| 1 | 564496 | Frame Assy- Catch, Fabric 16" | 1 |
| 2 | 564513 | Bag Assembly - Catcher 16" | 1 |

When ordering PLEASE QUOTE PART NUMBER & Description, NOT Illustration No.
 Determine right or left hand side from standing in operating position (standing at handle).

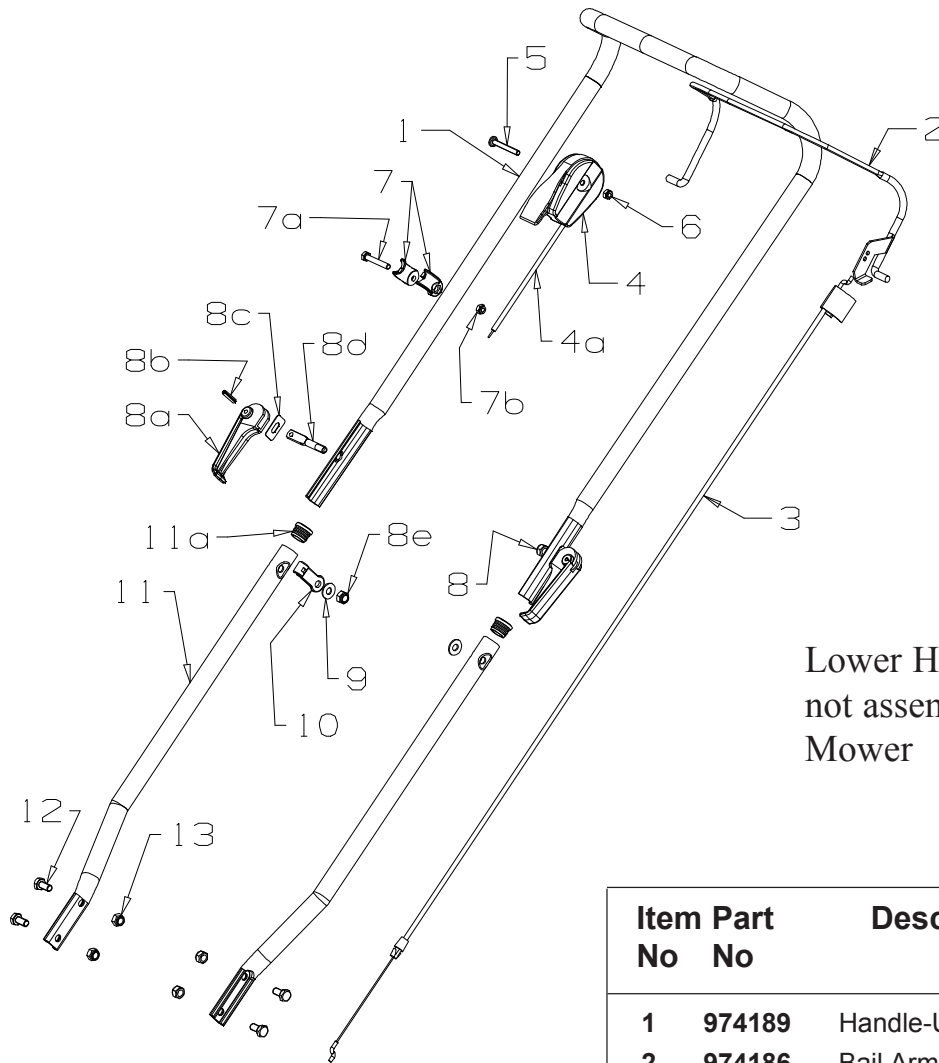
Bold Text = Assemblies, Bulleted Text * = Items included in the Assemblies & may not be available as a spares item.



S16 150ST 3-in-1
Powered by: B&S W16 Series 300

Masport

Issue A.1
ECN 03138
Oct 2015 PB
REF # 764923P



Lower Handles are
not assembled to the
Mower

NOT ILLUSTRATED

| | | |
|---------------|-----------------------------------|----------|
| 503054 | Tie- Nylon, Cable | 4 |
| 564550 | Instruction Sheet, Fabric Catcher | 1 |
| 569324 | Owners Manual | 1 |
| 569688 | Certificate of Conformity S16 | 1 |
| 574146 | Decal, Noise- S16 | 1 |
| 574156 | Decal, Hsg S16 200ST | 1 |
| 581413 | Decal, Handle- Power Drive | 1 |
| 582049 | Decal, Flap Caution | 1 |

| Item No | Part No | Description | Qty Req'd |
|---------|---------------|----------------------------------|-----------|
| 1 | 974189 | Handle-Upper, Upt S16 OPC Blk | 1 |
| 2 | 974186 | Bail Arm assembly- OPC, 16" Blk | 1 |
| 3 | 581658 | Cable- Engine, OPC Push On | 1 |
| 4/4a | 583458 | Control-Throttle & Cable, Wescon | 1 |
| 5 | 503604 | *Screw, Pan M6 x 45 Poz | 1 |
| 6 | 501764 | *Nut, M6 Hex Nyloc x 6mm thick | 1 |
| 7 | 703856 | Comfort Start Kit | 1 |
| 7a | 503794 | *Screw, Set M6 x 40 | 1 |
| 7b | 501764 | *Nut, M6 Hex Nyloc x 6mm thick | 1 |
| 8 | 779755 | Cam Lock Assembly (1 per) | 2 |
| 8a | 580313 | *Lever- Handle Locking | 1 |
| 8b | 503369 | *Pin, Tension 5.0 x 22 | 1 |
| 8c | 016777 | *Washer- Slipper S/S | 1 |
| 8d | 583041 | *Stud- Handle Lock, 61mm | 1 |
| 8e | 501793 | *Nut, M8 Hex Nyloc x 8mm thick | 1 |
| 9 | 501606 | Washer, Flat 8 x 18 x 1.6 | 2 |
| 10 | 581527 | Retainer-Control Cable, Handle | 1 |
| 11 | 964491 | Handle-Lower, Stub S16 Black | 2 |
| 11a | 503319 | Plug-22mm Black Plastic | 2 |
| 12 | 502106 | Screw,Set-M8 x 16 | 4 |
| 13 | 501793 | Nut, Nyloc M8 | 4 |

When ordering PLEASE QUOTE PART NUMBER & Description, NOT Illustration No.

Determine right or left hand side from standing in operating position (standing at handle).

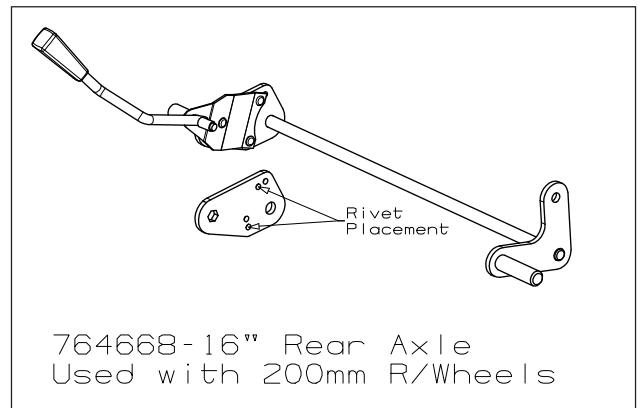
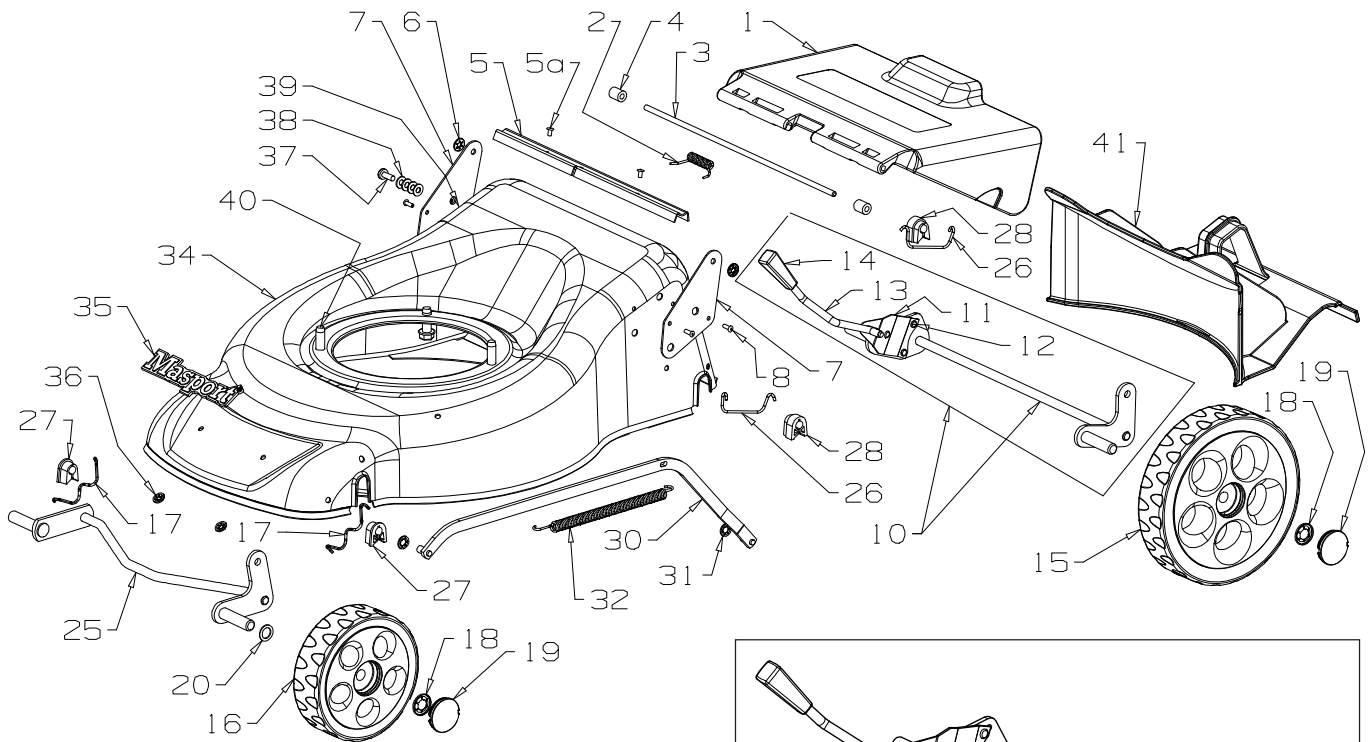
Bold Text = Assemblies, Bulleted Text * = Items included in the Assemblies & may not be available as a spares item.



S16 150ST 3-in-1
Powered by: B&S W16 Series 300

Masport

Issue A.1
ECN 03138
Oct 2015 PB
REF # 764923P



| Item No | Part No | Description | Qty Req'd |
|---------|---------|--|-----------|
| 1 | 564570 | Flap- Mower, 16" F/Catcher Blk | 1 |
| 2 | 581349 | Spring-Flap, 19" STL | 1 |
| 3 | 564503 | Wire-Flap Pivot 335mm x 6mm | 1 |
| 4 | 579733 | Spacer-Flap | 2 |
| 5 | 583151 | Dust Seal-Flap | 1 |
| 5a | 581369 | Rivet-Pop 4.0 Dia x 3.2 73SS5-2 | 2 |
| 6 | 503574 | Clip-Starlock, 6 dia | 2 |
| 7 | 564517 | Bracket- Flap S16 Fab/Catch | 2 |
| 8 | 501303 | Rivet-Pop 4.0 Dia x 7.9 73AS5-5 | 4 |
| 10 | 764668 | Axle Assy-Rear,S16" (8" Wheels) | 1 |
| 11 | 580649 | *Spring- Leaf | 1 |
| 12 | 503373 | *Rivet- F/HD 3/16x27/64" | 3 |
| 13 | 564498 | *Rod- Height Selector, 16" STL | 1 |
| 14 | 580056 | *Knob-Height Lever,7.9dia Sq Blk | 1 |
| 15 | 579193 | Wheel Assy-200, 5 Hole Graphite | 2 |
| 16 | 579191 | Wheel Assy-150, 5 Hole Graphite | 2 |
| 17 | 529674 | Retainer- Axle, Front "W" | 2 |
| 18 | 503236 | Clip-Starlock,1/2" | 4 |
| 19 | 579194 | Hub Cap- Button, 5 Hole Graphite | 4 |
| Item No | Part No | Description | Qty Req'd |
| 20 | 503301 | Washer, Flat 1/2 x 3/4 x 18g | 1 |
| 25 | 564481 | Axle Assy-Front,S16 6" Whl | 1 |
| 26 | 579292 | Retainer-Axle, Rear, Stl Deck | 2 |
| 27 | 564499 | Bush- Pivot,Axle Front S16 | 2 |
| 28 | 564500 | Bush- Pivot,Axle Rear S16 | 2 |
| 30 | 564486 | Rod Assy-Connecting, S16 STL | 1 |
| 31 | 501365 | Clip-Starlock, 5/16" | 2 |
| 32 | 580621 | Spring-Counter Balance | 1 |
| 34 | 764510 | Hsg-Assy Stl 16" FS TTNM | 1 |
| 35 | 581240 | Nameplate - Masport | 1 |
| 36 | 503150 | Clip-Starlock, 5dia | 2 |
| 37 | 503331 | Screw, Pan M6 X 16 | 1 |
| 38 | 501703 | Washer, Flat 6 x 14 x 1.2 | 4 |
| 39 | 501764 | Nut, M6 Hex (Inside housing) | 1 |
| 40 | 580453 | Screw; S/T 3/8 x 1-1/8" UNC Tri | 3 |
| 41 | 564544 | Insert- Mulching, 16" | 1 |

When ordering PLEASE QUOTE PART NUMBER & Description, NOT Illustration No.
Determine right or left hand side from standing in operating position (standing at handle).

Bold Text = Assemblies, Bulleted Text * = Items included in the Assemblies & may not be available as a spares item.